

# EPS

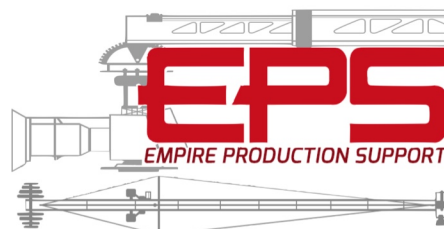
## SCORPIO 23'

### SPECIFICATIONS:

- |                            |                      |  |
|----------------------------|----------------------|--|
| • Maximum Length           | 23ft (7.1m)          |  |
| • Minimum Length           | 5ft (1.5m)           |  |
| • Tail Length              | 6ft (1.85m)          |  |
| • Telescopic Travel        | 18ft (5.6m)          |  |
| • Maximum Lens Height      | 21ft (6.7m)          |  |
| • Center Post Extension    | 1ft (0.3m)           |  |
| • Transport Weight         | 1322lbs (600kg)      |  |
| • Maximum Weight           | 2425lbs (1100kg)     |  |
| • Max Nose Load Underslung | 154lbs (70kg)        |  |
| • Max Nose Load Overslung  | 77lbs (35kg)         |  |
| • Required Power           | 120V / 20A           |  |
| • Maximum Telescope Speed  | 5'10"/sec (1.8m/sec) |  |
| • Minimum width (travel)   | 2.5ft (0.73m)        |  |
| • Minimum Height           | 6'6" (2m)            |  |
- 
- |  |  |                                       |
|--|--|---------------------------------------|
|  |  | <b>SCORPIO MINI HEAD</b>              |
|  |  | 2-Axis Weight 40lbs (18kg)            |
|  |  | Max Camera Load 100lbs (45kg)         |
|  |  | All Axis 360° Continuous              |
|  |  | Power 24V - 35V Battery or A/C Supply |
|  |  | 2 HD Video Lines                      |
|  |  | 2 12V/12.5A Outputs                   |
|  |  | 1 24V/12.5A Output                    |
|  |  | All Axis Max Speed 360° In 2.5sec     |

### FEATURES

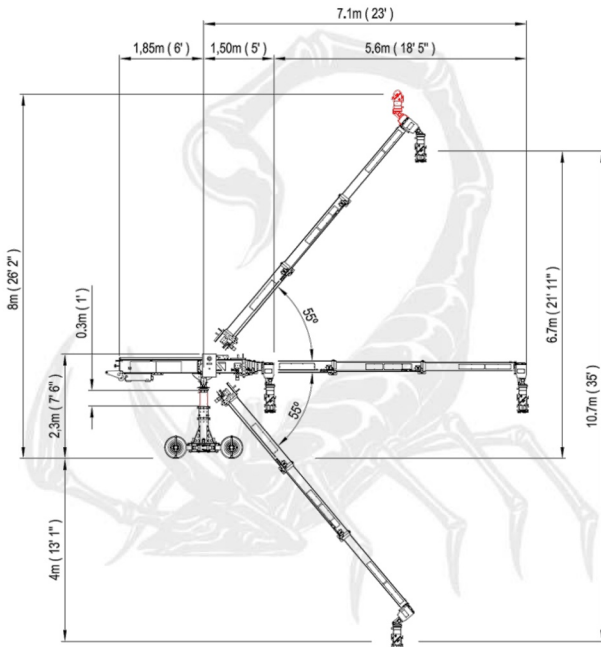
- Dynamic Counterweight System: Electronic adjust for the counterweight support activated automatic or by the hand command.
- Automatic compensator of the arc generated by the movement of the arm in both horizontal and vertical.
- Programmable limits on the telescopic movement of the arm.
- Movement generator of the telescopic arm in relation to the horizontal or vertical movement.
- Overslung and Underslung capability
- Screen display of the arm range, vertical and horizontal angles, lens' height in feet and meters.
- Programmable stop sequence.
- Altitude, Azimuth and arm encoder reading for the Motion Capture jobs.
- Smooth movement in both high and slow speed.
- Silent telescopic arm movement.
- Mechanical lift for the telescopic column.
- Adjustable width with articulated arms with lockable positions.
- Tracking wheels: Adjustable to all track gauges: 2ft (0.62m) and 3'3" (1m).
- Pneumatic wheels: Adjustable width from 2'5" (0.735m), and 4'8" (1.44m)





# EPS

## SCORPIO 23'

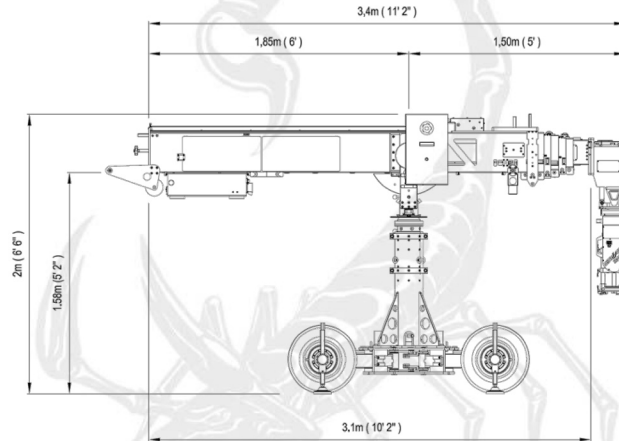


Paul McKenna • 631-988-0763 • empireproduction@gmail.com



# EPS

## SCORPIO 23'



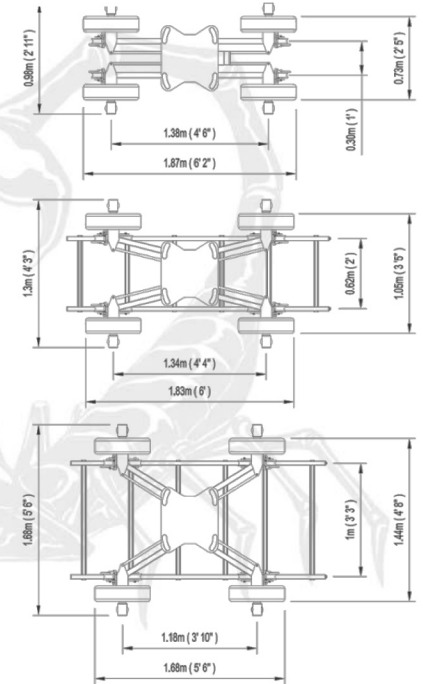
Paul McKenna • 631-988-0763 • empireproduction@gmail.com



# EPS

## SCORPIO 23'

**SMALLEST POSITION**  
(ONLY TO GO THROUGH A DOOR)



Paul McKenna • 631-988-0763 • empireproduction@gmail.com